



- **1864** — Industrial Workshop Association “Labour”
- **1968** — Foundation of Precision Machine Plant
- **Today** — MICRON Corporation



МИКРОН®
ISO 9001

Equipment

Berthiez
Carl Zeiss Iena
Churchill
Cimo
Duplex
Feinmess
Forest
Gostol
Hewlett Packard
IZTS
Jones Shipman
Krasny Proletary

Krasny Borets
Krautkramer
Leistriz
Lindner
Loeser
Manfredi
Matrix
Maule
Mazak
Micron
Milltronics
Mitutoyo
Opton
Pee-Wee

Pilous
Reishauer
Renfert
RIHS
Schultheiss
Shlifwerst
SIP
Surtronic
Taylor Hobson
Tesa
Trimos
Vercon
Voumard
Waldrich Coburg



МИКРОН[®]
ISO 9001

Products

- **Universal Milling Machines**
- **Special Machines**
- **Gauges**
- **Ball Screws**
- **Car Workshop Elevators**

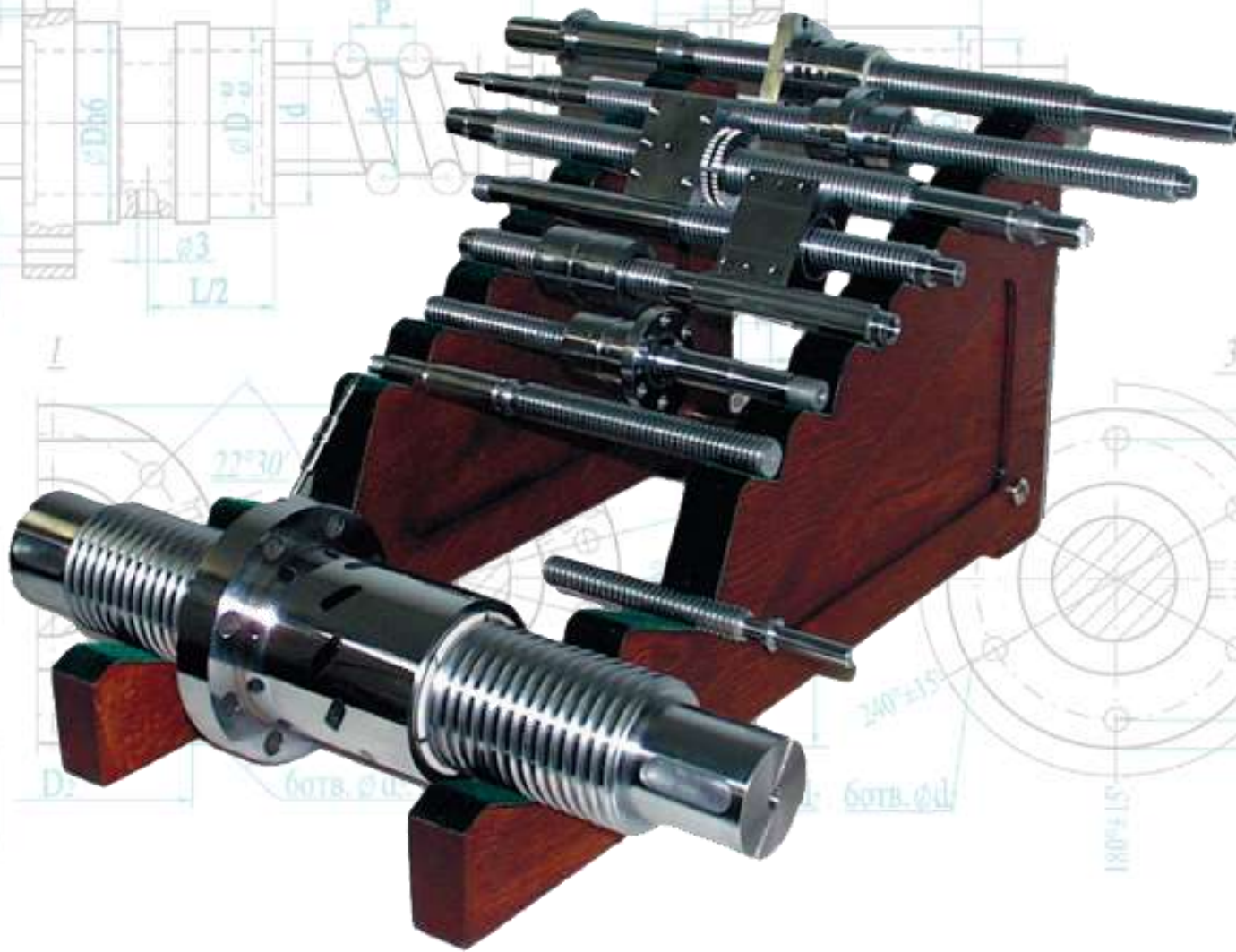


МИКРОН[®]
ISO 9001

Products

Ball Screws

Precision and Transport





МИКРОН®
ISO 9001

Products

Universal Milling Machines





МИКРОН[®]
ISO 9001

Products

Go / no Go Gauges

Plugs & Rings, Work & Master, Thread & Plain



- Armenia
- Australia
- Austria
- Azerbaijan
- Belarus
- Bulgaria
- Canada
- China
- Croatia
- Czech Republic
- Estonia
- Georgia
- Germany
- Hungary
- India
- Israel
- Italy
- Kazakhstan
- Latvia
- Lithuania
- Moldova
- Poland
- Russia
- Slovakia
- Sweden
- Turkey
- Ukraine
- United Kingdom
- United States of America
- Uzbekistan



www.micron.ua